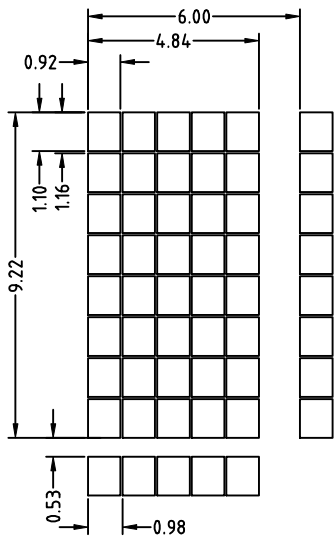
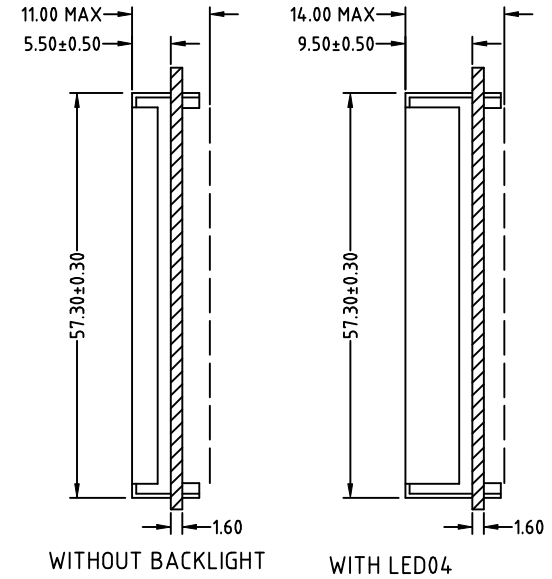
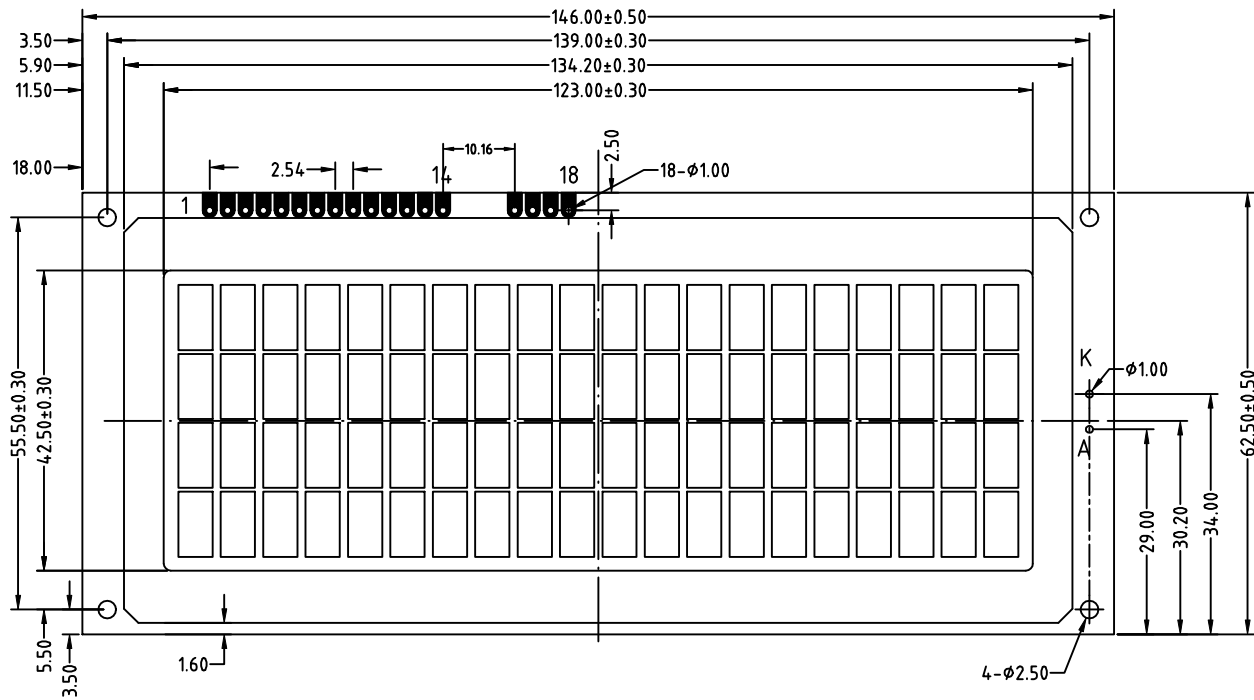


REV	Description	Date
A00	First Issue	2001-NOV-4



18 PIN CONNECTION	1	2	3	4	5	6	7	8	9	10	11	12	13	14	15	16	17	18	K	A
	V _{SS}	V _{DD}	V _O	RS	R/W	E	DB0	DB1	DB2	DB3	DB4	DB5	DB6	DB7	A	K	VEE	NC	LED(+)	LED(-)

Description: MECHANICAL SPECIFICATIONS

Scale:

Sheet : of

Unspecified Tol. ± 0.3 Unit mm

Approvals **Date**

Draw:

Check:

Approve:

Project Number
TMBC20468-XX

Item Number

Do Not Scale This Drawing

TRI-T COMPANY LIMITED

Projection