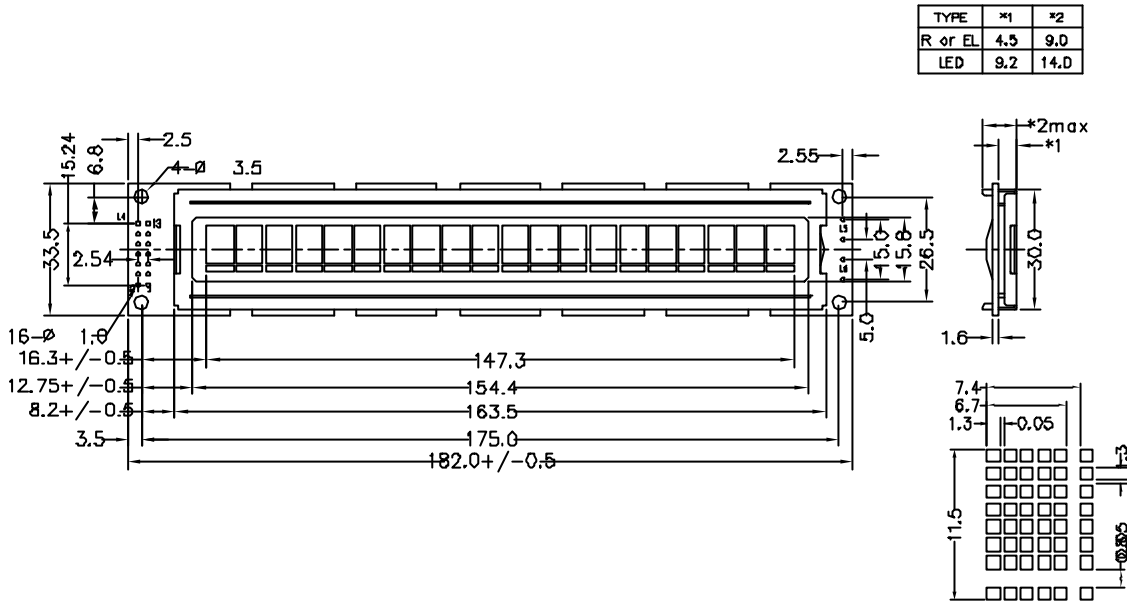


- * 20 Characters x 1 Lines
- * EL or LED Backlight or No Backlight (Reflective)
- * Type: TN; STN(Yellow-Green, Grey, Blue mode)

- * 5x8 Dots
- * 1/8 Duty

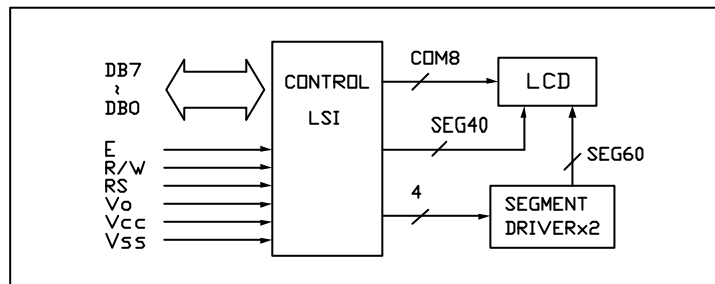
External Dimensionss/Display Pattern



External Dimensionss/Display Pattern

1	2	3	4	5	6	7	8	9	10	11	12	13	14	15	16
Vss	Vcc	Vo	RS	R/W	E	DB0	DB1	DB2	DB3	DB4	DB5	DB6	DB7	LED+	LED-

Block Diagram



Block Diagram

Item	Symbol	test Condition	Standard Value			Unit
			min.	typ.	max.	
Power Supply Voltage for Logic	Vcc-Vss	-	0	-	7	V
Power Supply Voltage for LCD Drive	Vcc-Vo	-	0	-	13.5	V
Input Voltage	Vi	-	Vss	-	Vcc	V
Operating Temperature	Top	-	0	-	+50	°C
Storage Temperature	Tstg	-	-20	-	+60	°C

Block Diagram

Item	Symbol	test Condition	Standard Value			Unit
			min.	typ.	max.	
Input "high" Voltage	Vih	-	2.2	-	Vcc	V
Input "Low" Voltage	Vil	-	-0.3	-	0.6	V
Output "high" Voltage	VoH	-	2.4	-	-	V
Output "Low" Voltage	VoL	-	-	-	0.4	V
Power Supply Current	Icc	-	-	2.0	5.0	mA

Vcc=5.0V ±5% Ta=25 °C