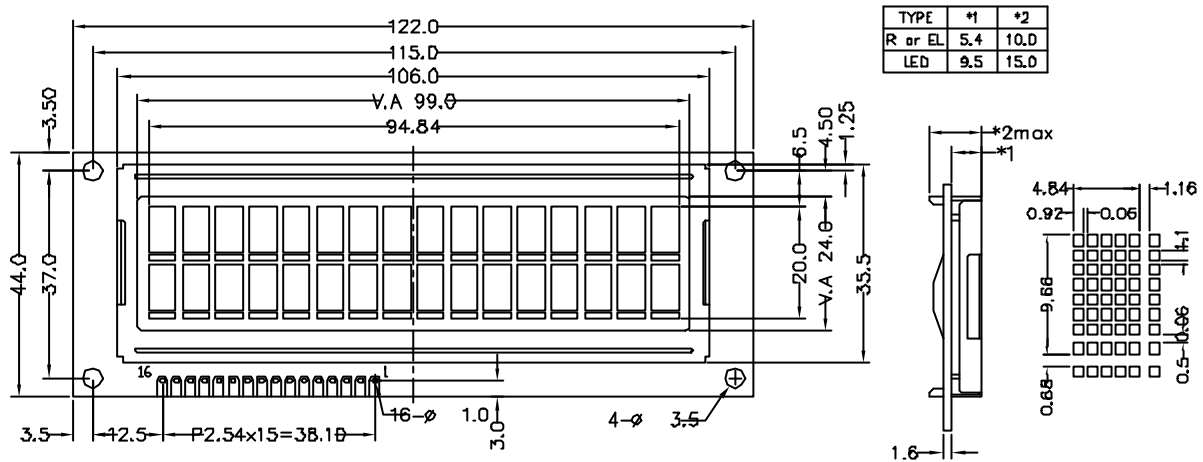




- \* 16 Characters x 2 Lines
- \* EL or LED Backlight or No Backlight (Reflective)
- \* Type: TN; STN(Yellow-Green, Grey, Blue mode)

- \* 5x8 Dots
- \* 1/16 Duty

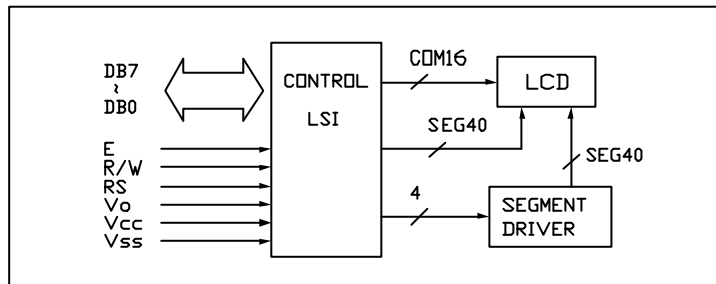
External Dimensionss/Display Pattern



External Dimensionss/Display Pattern

1	2	3	4	5	6	7	8	9	10	11	12	13	14	15	16
Vss	Vcc	Vo	RS	R/W	E	DB0	DB1	DB2	DB3	DB4	DB5	DB6	DB7	LED-	LED+

Block Diagram



Block Diagram

Item	Symbol	test Condition	Standard Value			Unit
			min.	typ.	max.	
Power Supply Voltage for Logic	Vcc-Vss	-	0	-	7	V
Power Supply Voltage for LCD Drive	Vcc-Vo	-	0	-	13.5	V
Input Voltage	V <sub>i</sub>	-	V <sub>ss</sub>	-	V <sub>cc</sub>	V
Operating Temperature	T <sub>op</sub>	-	0	-	+50	°C
Storage Temperature	T <sub>stg</sub>	-	-20	-	+60	°C

Block Diagram

Item	Symbol	test Condition	Standard Value			Unit
			min.	typ.	max.	
Input "high" Voltage	V <sub>ih</sub>	-	2.2	-	V <sub>cc</sub>	V
Input "Low" Voltage	V <sub>il</sub>	-	-0.3	-	0.6	V
Output "high" Voltage	V <sub>oh</sub>	-	2.4	-	-	V
Output "Low" Voltage	V <sub>ol</sub>	-	-	-	0.4	V
Power Supply Current	I <sub>cc</sub>	-	-	0.5	2.0	mA

V<sub>cc</sub>=5.0V ±5% T<sub>a</sub>=25 °C