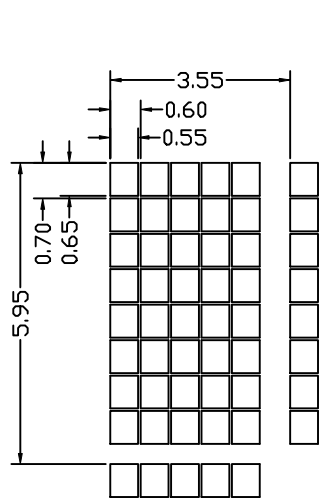
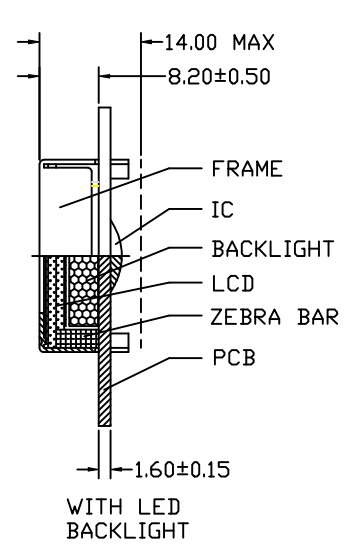
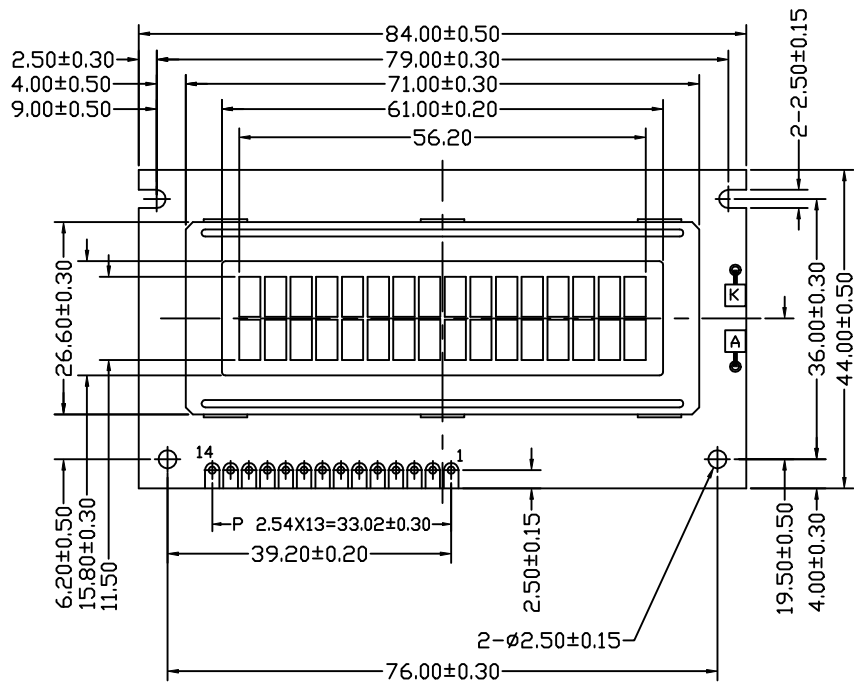


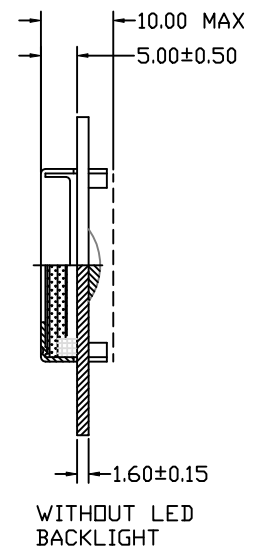
REV	Description	Date
A00	First Issue	2001-NOV-4



CHARACTER DOT PATTERN



WITH LED BACKLIGHT



WITHOUT LED BACKLIGHT

INTERFACE CONNECTOR PIN ASSIGNMENT

14 PIN CONNECTION	1	2	3	4	5	6	7	8	9	10	11	12	13	14	A	K
		VSS	VDD	V <sub>0</sub>	RS	R/W	E	DB0	DB1	DB2	DB3	DB4	DB5	DB6	DB7	LED(+)

**Description:** MECHANICAL SPECIFICATIONS

**Scale:**

**Sheet :** of

Unspecified Tol. ± 0.3 Unit mm

**Approvals** Date

**Draw:**

**Check:**

**Approve:**

**Project Number** TMBC16265-XX

**Item Number**

**Do Not Scale This Drawing** **REV: A00**

**TRI-T COMPANY LIMITED**

**Projection**